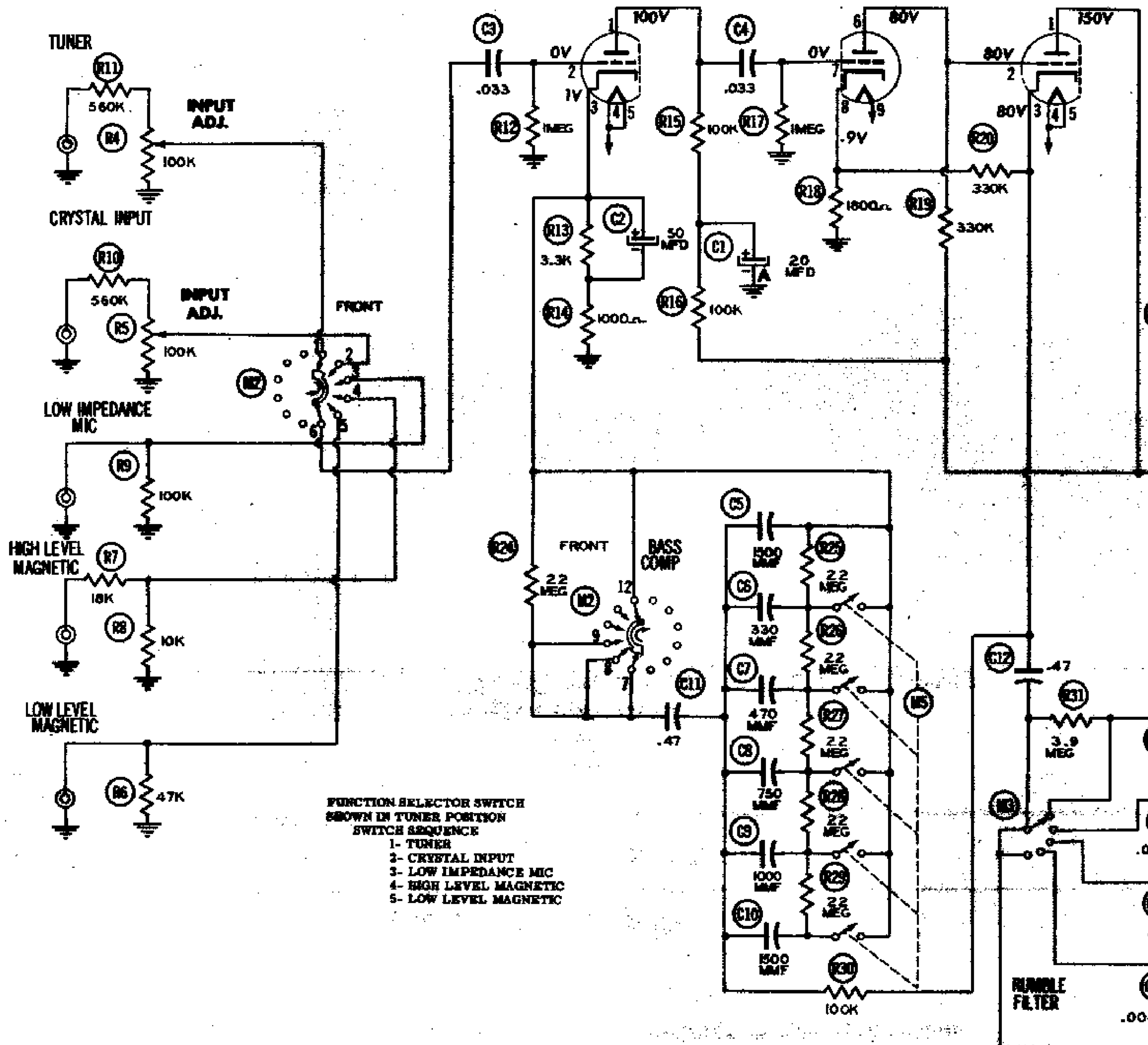


AF AMP
V1 6AT2AX7

AF AMP
V1 612AX7

CATHODE FOLLOWER
V2 6A12AX7



THE COOPERATION OF THE MANUFACTURER OF THIS EQUIPMENT MAKES IT POSSIBLE TO BRING YOU THIS SERVICE

RESISTANCE READINGS

Item	Tube	Pin 1	Pin 2	Pin 3	Pin 4	Pin 5	Pin 6
V 1	12AX7	†310KΩ	1Meg	4.3KΩ	■2Ω	2Ω	†440KΩ
V 2	12AX7	†110KΩ	†440KΩ	330KΩ	■2Ω	2Ω	†110KΩ
V 3	12AX7	†440KΩ	10KΩ	1.8KΩ	■2Ω	2Ω	†10KΩ

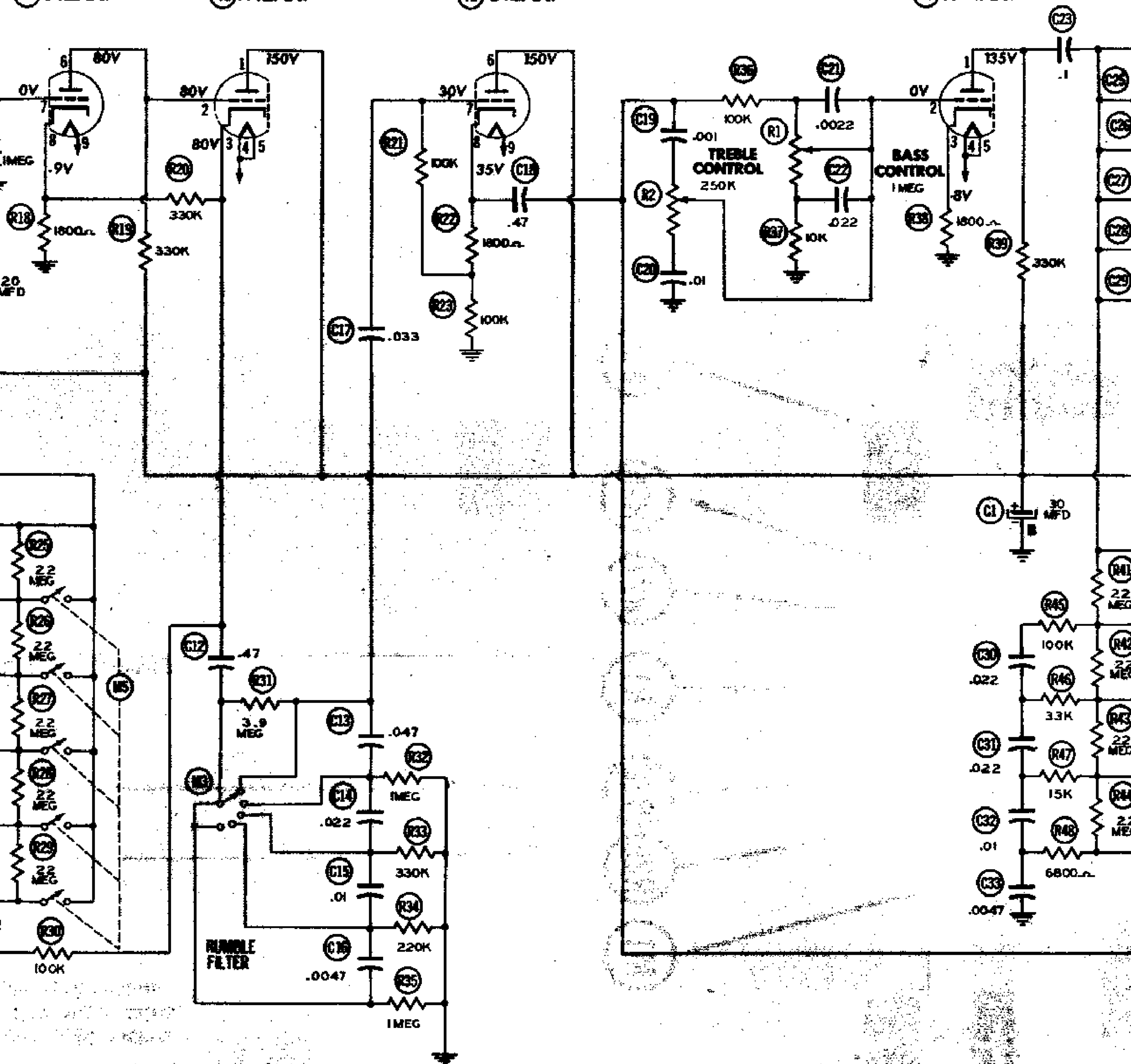
VOLTAGE MEASUREMENTS MADE USING 350VDC SOURCE FOR
 ■ MEASURED FROM PIN 7 OF OUTPUT PLUG
 † MEASURED FROM PIN 4 OF OUTPUT PLUG

AF AMP
 (V1) 6 12AX7

CATHODE FOLLOWER
 (V2) A 12AX7

CATHODE FOLLOWER
 (V2) B 12AX7

AF AMP
 (V3) A 12AX7

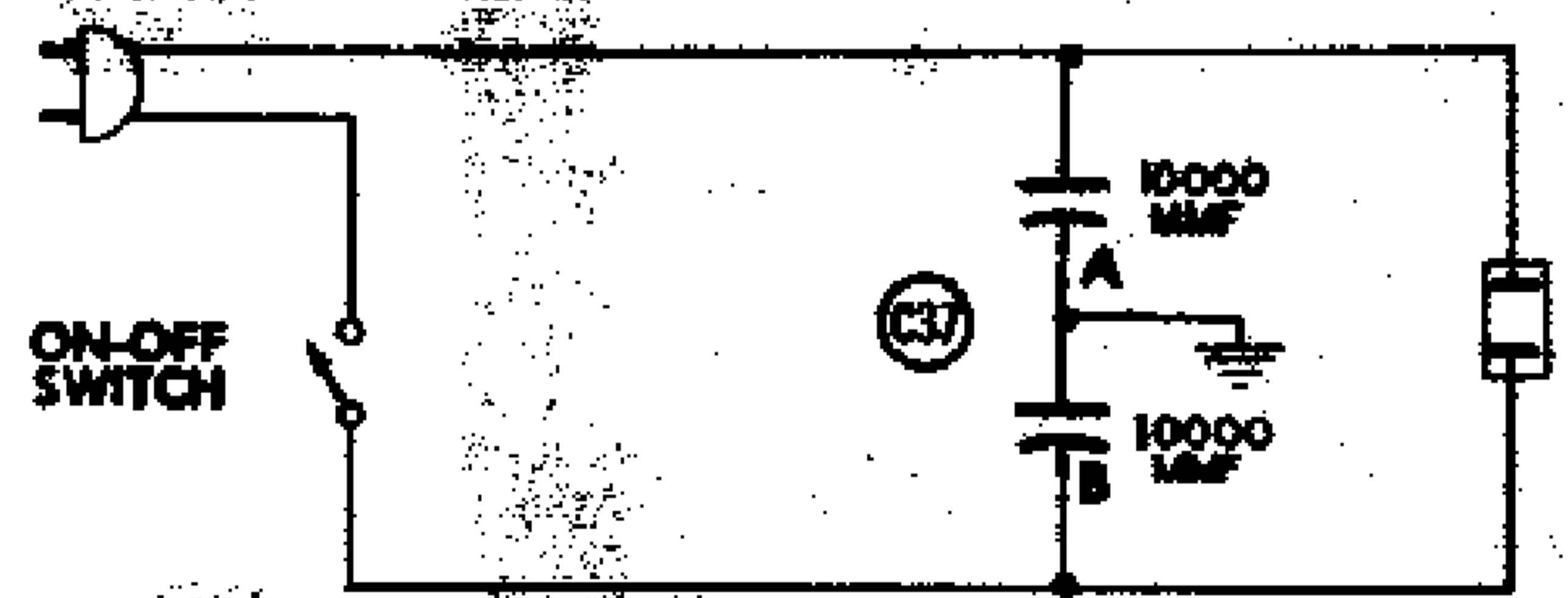
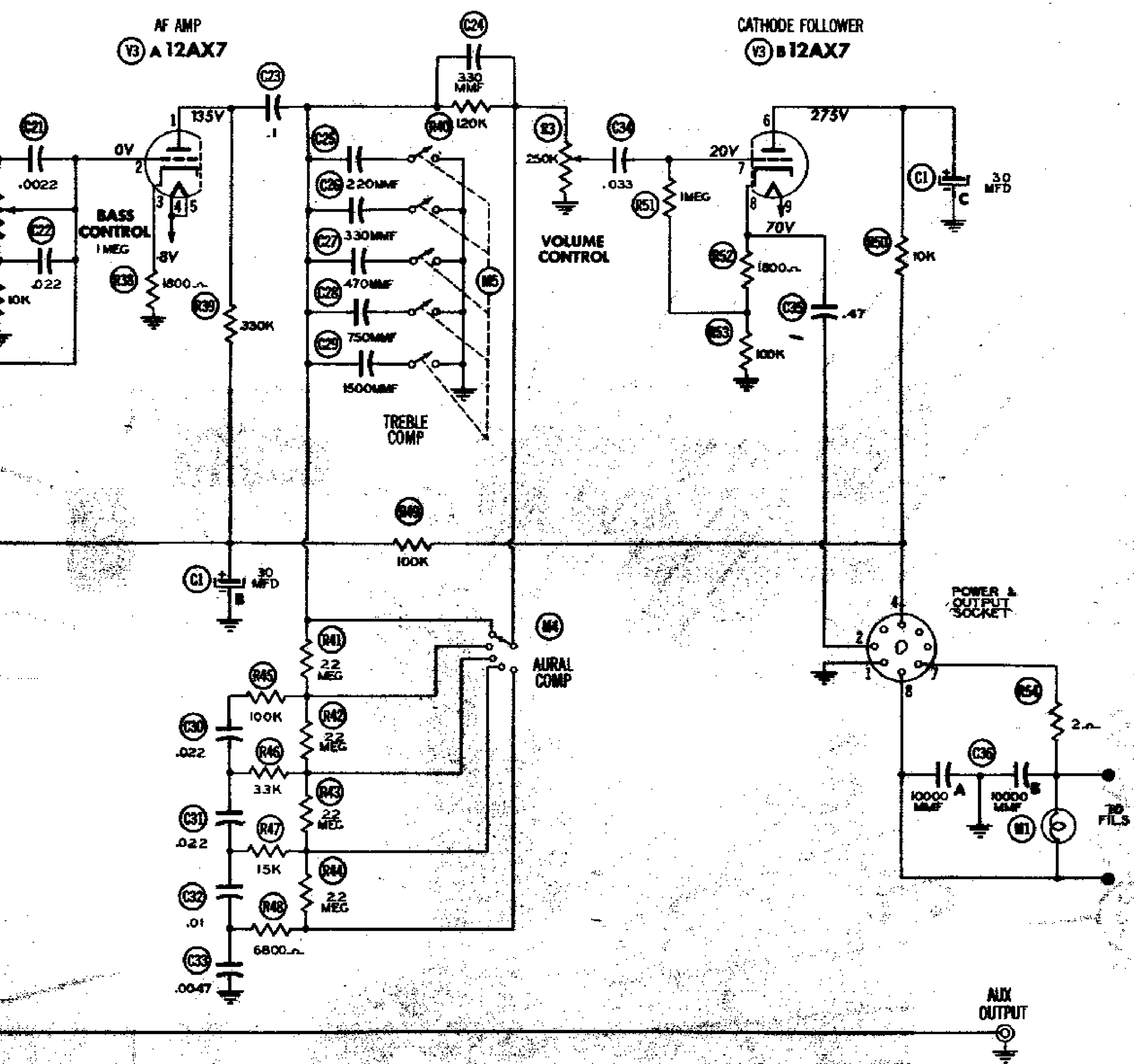


RESISTANCE READINGS

	Pin 4	Pin 5	Pin 6	Pin 7	Pin 8	Pin 9
1	20Ω	20Ω	↑440KΩ	1Meg	1.8KΩ	30Ω
2	20Ω	20Ω	↑110KΩ	200KΩ	100KΩ	30Ω
3	20Ω	20Ω	↑10KΩ	100KΩ	100KΩ	30Ω

TESTS MADE USING 350VDC SOURCE FOR B+
 DC VOLTAGE OF OUTPUT PLUG
 AC VOLTAGE OF OUTPUT PLUG

1. DC voltage measurements taken with vacuum tube voltmeter.
2. AC voltages measured at 1000 ohms per volt.
3. Socket connections are shown as bottom views.
4. Measured values are from socket pin to common supply.
5. Line voltage maintained at 117 volts for voltage readings.
6. Nominal tolerance on component values makes possible variation of + 10% in voltage and resistance readings.
7. All controls at minimum, proper output load connected.



1. DC voltage measurements taken with vacuum tube voltmeter; AC voltages measured at 1000 ohms per volt.
2. Socket connections are shown as bottom views.
3. Measured values are from socket pin to common negative.
4. Line voltage maintained at 117 volts for voltage readings.
5. Nominal tolerance on component values makes possible a variation of + 1% in voltage and resistance readings.
6. All controls at minimum, proper output load connected.